



FERSA'S BEST SPARE PARTS FOR THE MOST DEMANDING HEAVY DUTY APPLICATIONS

Differentials



POSITION	Fersa
MS-13-185	
Bevel pinion front	H 715334/H 715311
Bevel pinion rear	F 19063
Bevel pinion pilot	9278/9220
Differential right	JHM 720249/JHM 720210
Differential left	64450/64700

U177

Bevel pinion pilot	F 19063
Differential right	32021 XF
Differential left	32021 XF

U180

Bevel pinion front	H 715334/H 715311
Bevel pinion rear	9278/9220
Bevel pinion pilot	F 19063
Differential right	JHM 720249/JHM 720210
Differential left	64450/64700

Wheel End



AXLE	POSITION	Fersa
EuroCargo		
Front axle	Inboard	33019 F
Front axle	Outboard	32018 XF
Front axle	Outboard	32021 XF
Rear axle	Hub Unit	F 15122
Rear axle	Inboard	30215 F
Rear axle	Inboard	30218 F
Rear axle	Inboard	33019 F
Rear axle	Outboard	33118 F
Rear axle	Outboard	30221 F
Rear axle	Outboard	32021 XF

Wheel End



AXLE	POSITION	Fersa
EuroStar		
Rear axle	Hub Unit	F 15122
Rear axle	Inboard	32220 F
Rear axle	Inboard	32218 F
Rear axle	Inboard	32221 F
Rear axle	Outboard	32219 F
Rear axle	Outboard	32217 F

EuroTech

Front axle	Inboard	33019 F
Front axle	Outboard	32021 XF
Rear axle	Hub Unit	F 15122
Rear axle	Inboard	32218 F
Rear axle	Inboard	32221 F
Rear axle	Inboard	32220 F
Rear axle	Inboard	30221 F
Rear axle	Outboard	32217 F
Rear axle	Outboard	32219 F
Rear axle	Outboard	32024 XF

EuroTrakker

Front axle	Inboard	33019 F
Front axle	Outboard	32021 XF
Rear axle	Inboard	30221 F
Rear axle	Outboard	32024 XF

Stralis

Rear axle	Hub Unit	F 15122
-----------	----------	---------

Trakker

Front axle	Inboard	33019 F
Front axle	Outboard	32021 XF
Rear axle	Inboard	30221 F
Rear axle	Outboard	32024 XF

Gearboxes

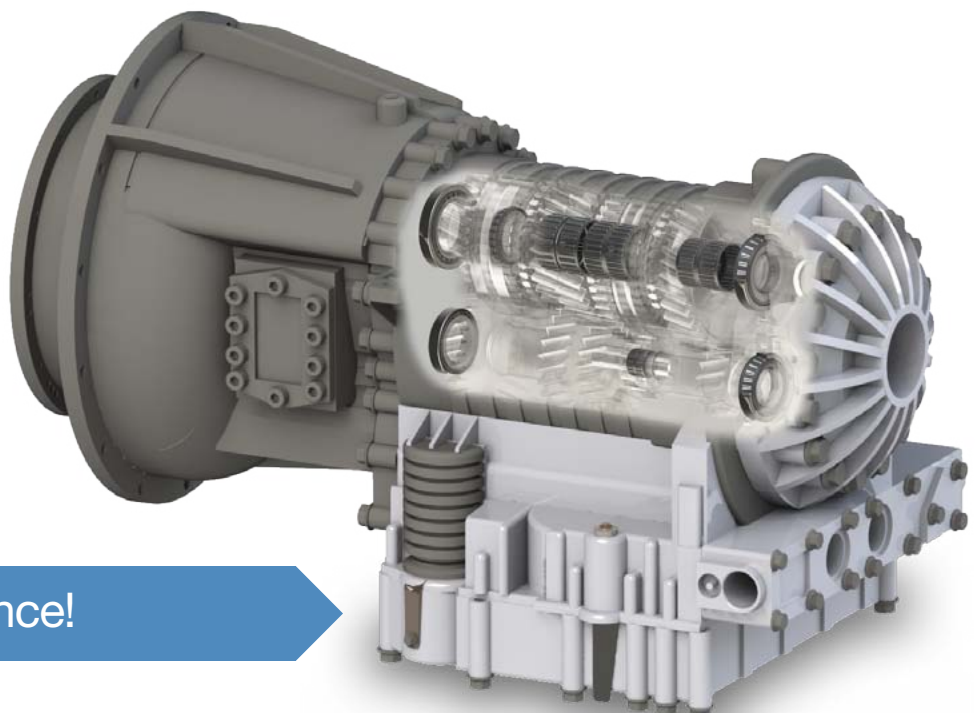


POSITION	Fersa
ZF	
S5-420	
Counter shaft front	2580/2520
Counter shaft rear	2580/2520
Main shaft front	CONE F 15084
Input shaft front	28580/28521
6S-850	
Input shaft front	F 18054
Main shaft rear	6309 2RS
Counter shaft front	344/332
Counter shaft rear	2789/2729
8S180	
Input shaft front	47490/47420
Main shaft front	CONE 4395
Main shaft rear	HM 807046/HM 807010 BT
Counter shaft front	JF 4049/JF 4010
Counter shaft rear	33889/33822
Output shaft front	F 18052
9S-109	
Input shaft front	33262 A/33461
Main shaft front	CONE F 15110
Main shaft rear	F 15212
Counter shaft front	33208 F
Counter shaft rear	33889/33822
Output shaft front	F 18052

Gearboxes



POSITION	Fersa
ZF	
16S-151	
Input shaft front	30217 F
Main shaft front	CONE 4395
Main shaft rear	F 15246
Output shaft front	F 18052
Output shaft rear	6218 C3
Counter shaft front	F 15047
Counter shaft front	5395/5335
Counter shaft rear	4580/4535
Main shaft intermediate	F 19061
16S-181	
Input shaft front	30217 F
Main shaft front	CONE 4395
Main shaft rear	F 15191
Output shaft rear	6218 C3
Counter shaft front	5395/5335
Counter shaft rear	5395/5335
16S-221	
Input shaft front	30217 F
Main shaft front	CONE 4395
Main shaft rear	F 15191
Output shaft rear	6218 C3
Counter shaft front	5395/5335
Counter shaft rear	5395/5335
Main shaft intermediate	F 19062
Output shaft front	6218 C3



Fersa rolling endurance!